

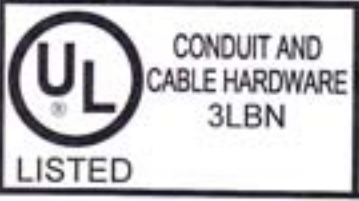
- ICC ESR-2024
- Fastener data: 0.145" Shank, 1" embedment
- metal deck shall be 20 gage min
- For gravity load only.

1/4-20 ATR

12" - 72"



| STRUCTURAL ATTACHMENT | ALLOWABLE TENSILE LOAD (LB) | | | |
|--|------------------------------------|----------|----------|----------|
| | Concrete Compressive Strength, f'c | | | |
| | 2000 psi | 3000 psi | 3500 psi | 4000 psi |
| Normal-Weight Concrete | 40 | 40 | - | 100 |
| Light-Weight Concrete/Concrete Filled Metal Deck | - | 55 | 60 | - |



FLASHFASTENERS
www.FlashFasteners.com
 877 - 53 - FLASH

FLASH 1/4-20

| | | |
|----------------|-----------------|-----------------|
| DATE: 12/02/09 | DRAWN BY: LSCAD | SCALE: NO SCALE |
|----------------|-----------------|-----------------|



24" - 60"

0.211" ϕ

| ANCHOR DATA | | | | ULTIMATE TENSILE LOADS (LB) | |
|----------------|-------------------|--------|-------------------|--------------------------------------|--|
| | | | | Normal Weight Concrete Strength, f'c | |
| Flute Location | Flute Edge Dist. | Size | Embed | 3,000 psi | |
| Lower Flute | 1" | 0.211" | 1 $\frac{1}{8}$ " | 1,290 | |
| | 2 $\frac{1}{2}$ " | 0.211" | 1 $\frac{1}{8}$ " | 1,920 | |

| ANCHOR DATA | | | | ULTIMATE TENSILE LOADS (LB) | |
|----------------|-------------------|-----------------|-------------------|-------------------------------------|-----------|
| | | | | Light-Weight Concrete Strength, f'c | |
| Flute Location | Flute Edge Dist. | Size | Embed | 3,000 psi | 4,000 psi |
| Upper Flute | 2 $\frac{1}{4}$ " | $\frac{3}{8}$ " | 1 $\frac{1}{8}$ " | - | 4,450 |
| | 2 $\frac{1}{4}$ " | $\frac{1}{2}$ " | 2 $\frac{1}{8}$ " | - | 6,000 |
| Lower Flute | 1" | 0.211" | 1 $\frac{1}{8}$ " | 1,370 | - |
| | 2 $\frac{1}{2}$ " | 0.211" | 1 $\frac{1}{8}$ " | 2,130 | - |
| | 2 $\frac{1}{4}$ " | $\frac{3}{8}$ " | 1 $\frac{1}{8}$ " | 3,330 | 4,200 |
| | 2 $\frac{1}{4}$ " | $\frac{1}{2}$ " | 2 $\frac{1}{8}$ " | 4,640 | 4,510 |

$\frac{3}{8}$ -16 or $\frac{1}{2}$ -13

24" - 48"



- metal deck shall be 20 gage min.
- Test conducted per ASTM E488.



CONDUIT AND
CABLE HARDWARE
3LBN

LISTED

FLASHFASTENERS

www.FlashFasteners.com
877 - 53 - FLASH

FLASHFOUR

DATE: 04/10/07

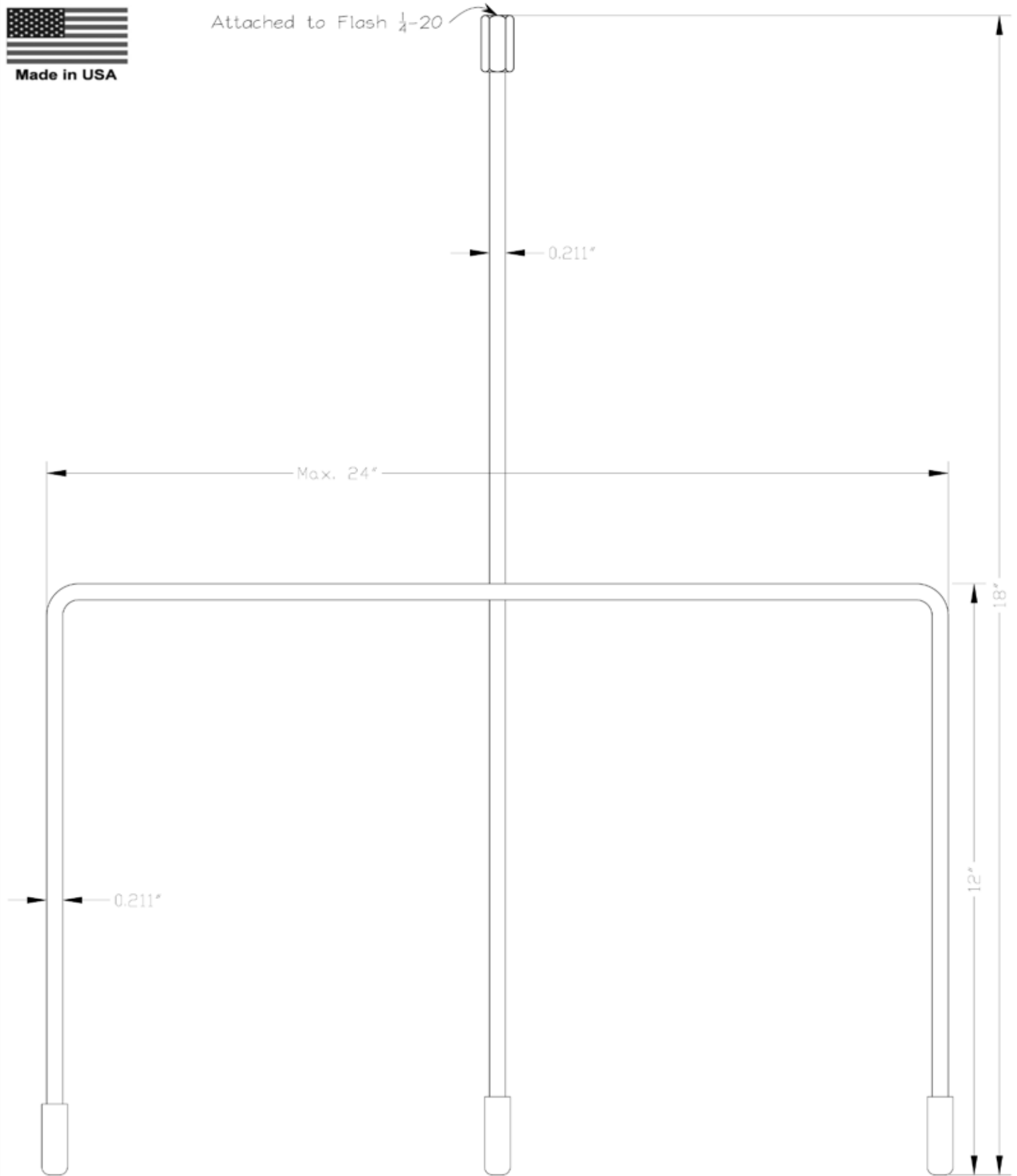
DRAWN BY: LSCAD

SCALE: NO SCALE



Made in USA

Attached to Flash $\frac{1}{4}$ -20



CONDUIT AND
CABLE HARDWARE
3LBN

LISTED

FLASHFASTENERS

www.FlashFasteners.com
877 - 53 - FLASH

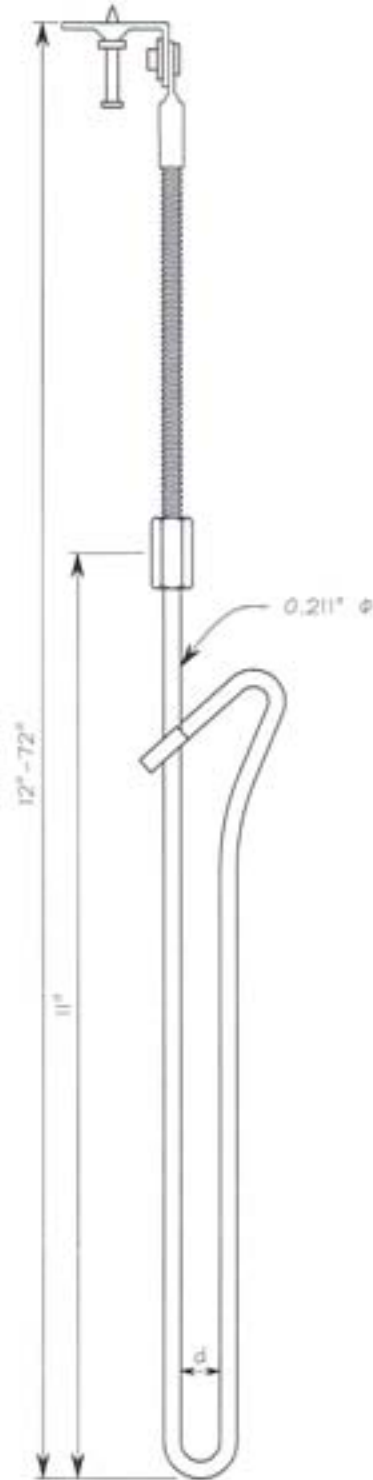
FLASH PITCHFORK

DATE: 7/15/09

DRAWN BY: LSCAD

SCALE: NO SCALE

- ICC ESR-2024
- Fastener data: 0.145" Shank, 1" embedment
- $d = \frac{1}{2}"$ or $\frac{3}{8}"$
- metal deck shall be 20 gage min
- For gravity load only.



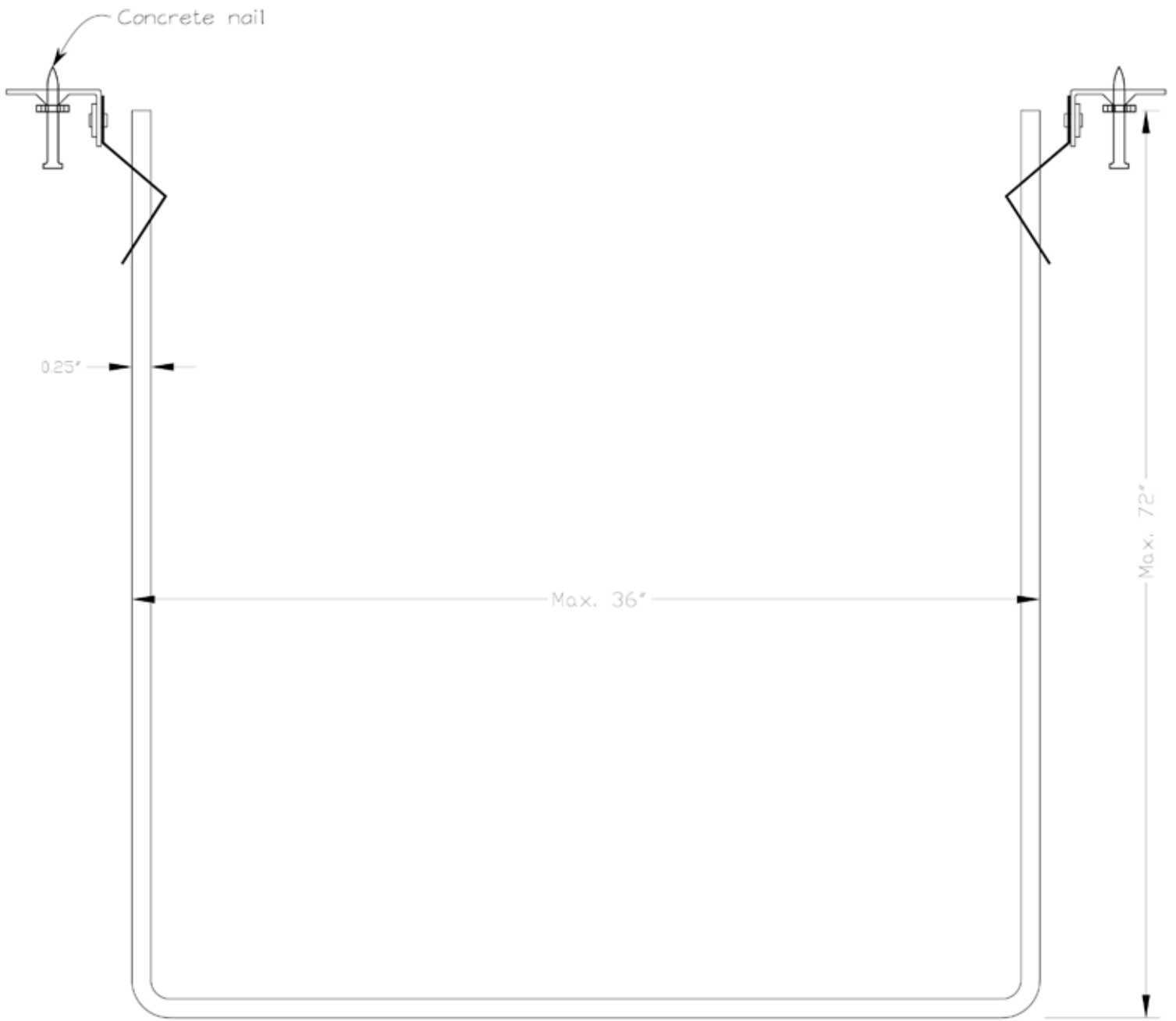
| STRUCTURAL ATTACHMENT | ALLOWABLE TENSILE LOAD (LB) | | | |
|--|------------------------------------|----------|----------|----------|
| | Concrete Compressive Strength, f'c | | | |
| | 2000 psi | 3000 psi | 3500 psi | 4000 psi |
| Normal-Height Concrete | 40 | 40 | - | 100 |
| Light-Height Concrete/Concrete Filled Metal Deck | - | 55 | 60 | - |



FLASHFASTENERS
www.FlashFasteners.com
 877 - 53 - FLASH

FLASHSTACK

DATE: 12/02/09 DRAWN BY: LSCAD SCALE: NO SCALE



CONDUIT AND
CABLE HARDWARE
3LBN

FLASHFASTENERS

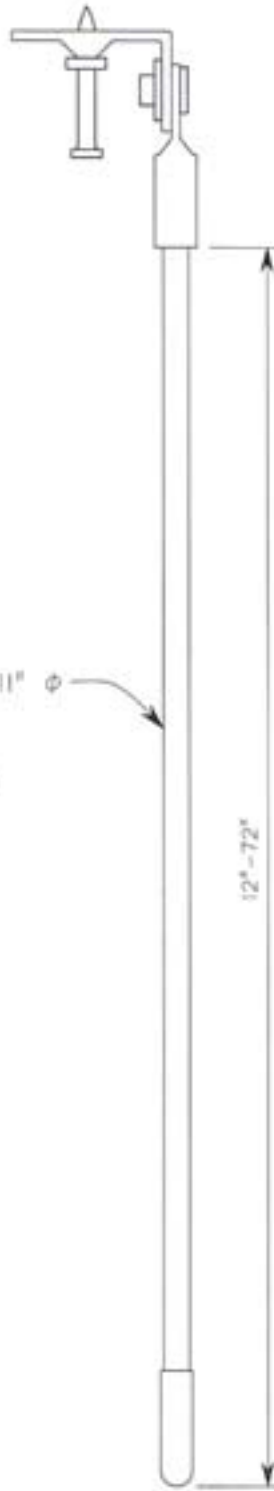
www.FlashFasteners.com
877 - 53 - FLASH

FLASH TRAPEZE

DATE: 7/15/09

DRAWN BY: LSCAD

SCALE: NO SCALE



- ICC ESR-2024
- Fastener data: 0.145" Shank, 1" embedment
- metal deck shall be 20 gage min
- For gravity load only.

0.211" ϕ

12" - 72"



| STRUCTURAL ATTACHMENT | ALLOWABLE TENSILE LOAD (LB) | | | |
|--|------------------------------------|----------|----------|----------|
| | Concrete Compressive Strength, f'c | | | |
| | 2000 psi | 3000 psi | 3500 psi | 4000 psi |
| Normal-Weight Concrete | 40 | 40 | - | 100 |
| Light-Weight Concrete/Concrete Filled Metal Deck | - | 55 | 60 | - |



CONDUIT AND
CABLE HARDWARE
3LBN

LISTED

FLASHFASTENERS

www.FlashFasteners.com
877 - 53 - FLASH

HOT FLASH II

DATE: 12/02/09 DRAWN BY: LSCAD SCALE: NO SCALE